

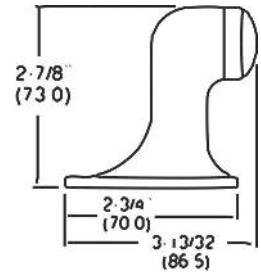
Model No	Specifications	Dimensions
----------	----------------	------------

**1322**

Floor Door Stop



- Heavy duty cast brass
- For doors undercut up to 2" (50.8)mm
- Non marking rubber tip
- Conforms to ANSI A156.16 BHMA L12121 or L12131
- Supplied with lag screw for wood and expansion shield for concrete
- Available in brass base architectural finishes

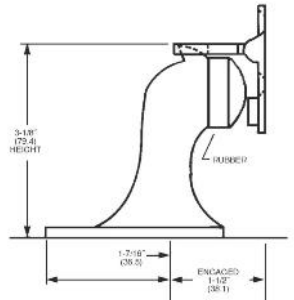


**1323**

Floor Door Stop With Holder



- Heavy duty cast brass
- Accommodates doors undercut up to 2"(50.8)mm
- Non marking rubber tip
- Conforms to ANSI A156.16 BHMA L11361 or L11371
- Supplied with lag screw for wood and expansion shield for concrete
- Available in brass base architectural finishes

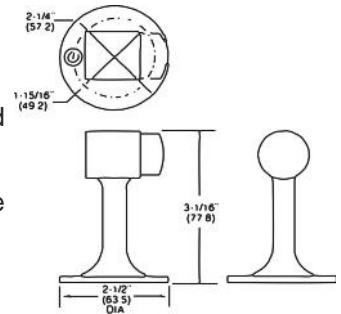


**1328**

Floor Door Stop Heavy Duty



- Heavy duty cast brass
- For doors undercut up to 2/2"(98)mm
- Non marking rubber tip
- Conforms to Fed. Spec. No. 1328 and 1328E with expansion shield
- Meets ANSI A156.16 BHMA L12121 or L12131
- Supplied with lag screw for wood and expansion shield for concrete
- Available in brass base architectural finishes

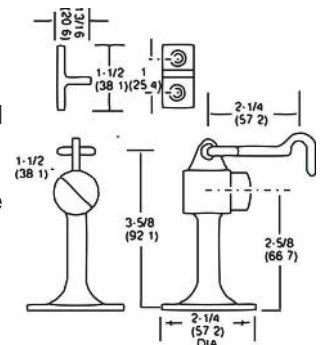


**1329**

Floor Door Stop Heavy Duty With Holder



- Heavy duty cast brass
- For door undercut up to 2/2"(98)mm
- Non marking rubber tip
- Conforms to Fed. Spec. No. 1329 and 1329E with expansion shield
- Meets ANSI A156.16 BHMA L11361 or L11371
- Supplied with lag screw for wood and expansion shield for concrete
- Available in brass base architectural finishes



# Floor Door Stops



## F-2 Model No

## Specifications

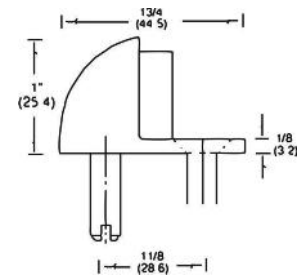
## Dimensions

### 1330

Floor Door Stop



- Solid cast brass
- Gray non-marking rubber bumper
- Conforms to Fed. Spec. No. 1330 with wood screws and 1330E with expansion shield
- Conforms to ANSI A156. 16 BHMA L12141
- Supplied with wood screw and plastic anchor
- Available in brass base architectural finishes

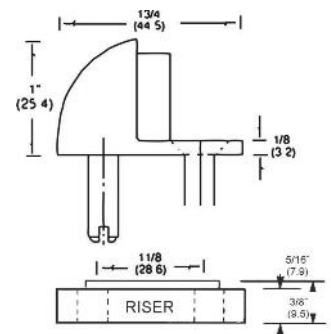


### 1330R

Floor Door Stop with Riser



- Same as 1330 includes 3/8" (9.53 mm) cast riser
- Available in brass base architectural finishes

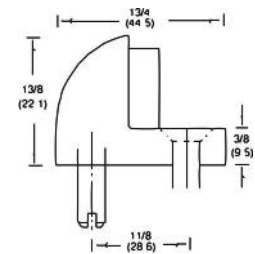


### 1331A

Floor Door Stop High Rise



- Solid cast brass
- Gray non-marking rubber bumper
- Conforms to Fed. Spec. No. 1330A with wood screws and 1330AE with expansion shield
- Conforms to ANSI A156. 16 BHMA L12161
- Supplied with wood screw and plastic anchor
- Available in brass base architectural finishes.

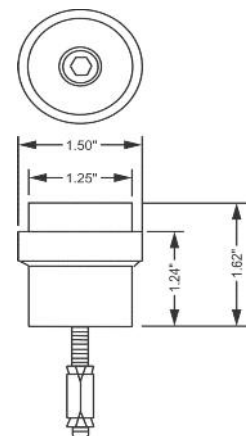


### 1333

Circular Floor Door Stop High Rise



- Brass or Stainless Steel
- Black non-marking rubber bumper
- 5/16 - 18 Expansion Shield
- 5/16 - 18 Hex Head Socket Cap Screw
- Available in brass base architectural finishes and Brushed or Polished Stainless Steel.

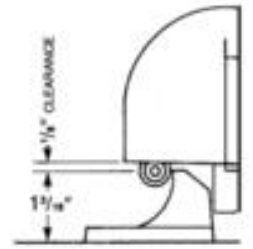
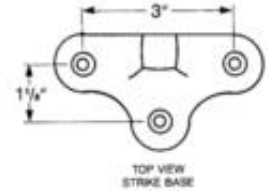
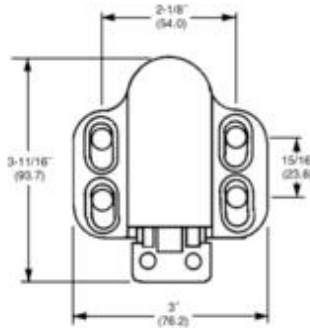


Model No	Specifications	Dimensions	F-3
----------	----------------	------------	-----

**1319F**

Floor Mounted  
Adjustable Automatic Holder  
Heavy Duty

- Heavy duty cast brass
- Extra heavy duty rubber pad to absorb shock and reduce noise
- Vertical adjustment on body
- Conforms to Fed Spec. No. 1168
- Meets ANSI A156.16 BHMA L11301
- Supplied for wood or concrete application
- Available in standard brass base finishes



Side view with standard strike  
Maximum door clearance  
1/2" (12.7)mm

**1319FS-2**

**1319FS-3**

**1319FS-4**

Floor Mounted Strikes

- For 1319 Automatic door holder
- Heavy duty cast brass
- For doors with large undercuts or unusual floor conditions
- Supplied for wood or concrete application
- Available in standard brass base finishes



1319FS-2 For door clearance from  
1/16" - 1/16" (14.29) - (27)mm

1319FS-3 For door clearance from  
1/8" - 1/16" (28.58) - (39.69)mm

1319FS-4 For door clearance from  
1/8" - 2/16" (41.28) - (52.39)mm